

WINCORE™

WINDOWS & DOORS

250 Staunton Turnpike, Parkersburg, WV 26104

5400/5400S/7700/9900 Series Vinyl Sliding Patio Door "NON-IMPACT"

GENERAL NOTES

1. This product has been evaluated and is in compliance with the 2010 Florida Building Code (FBC) structural requirements excluding the "High Velocity Hurricane Zone" (HVHZ).
2. Product anchors shall be as listed and spaced as shown on details. Anchor embedment to base material shall be beyond wall dressing or stucco.
3. When used in areas requiring wind borne debris protection this product is required to be protected with an impact resistant covering that complies with Section 1609.1.2 of the 2010 FBC.
4. For 2x stud framing construction, anchoring of these units shall be the same as that shown for 2x buck masonry construction.
5. Site conditions that deviate from the details of this drawing require further engineering analysis by a licensed engineer or registered architect.

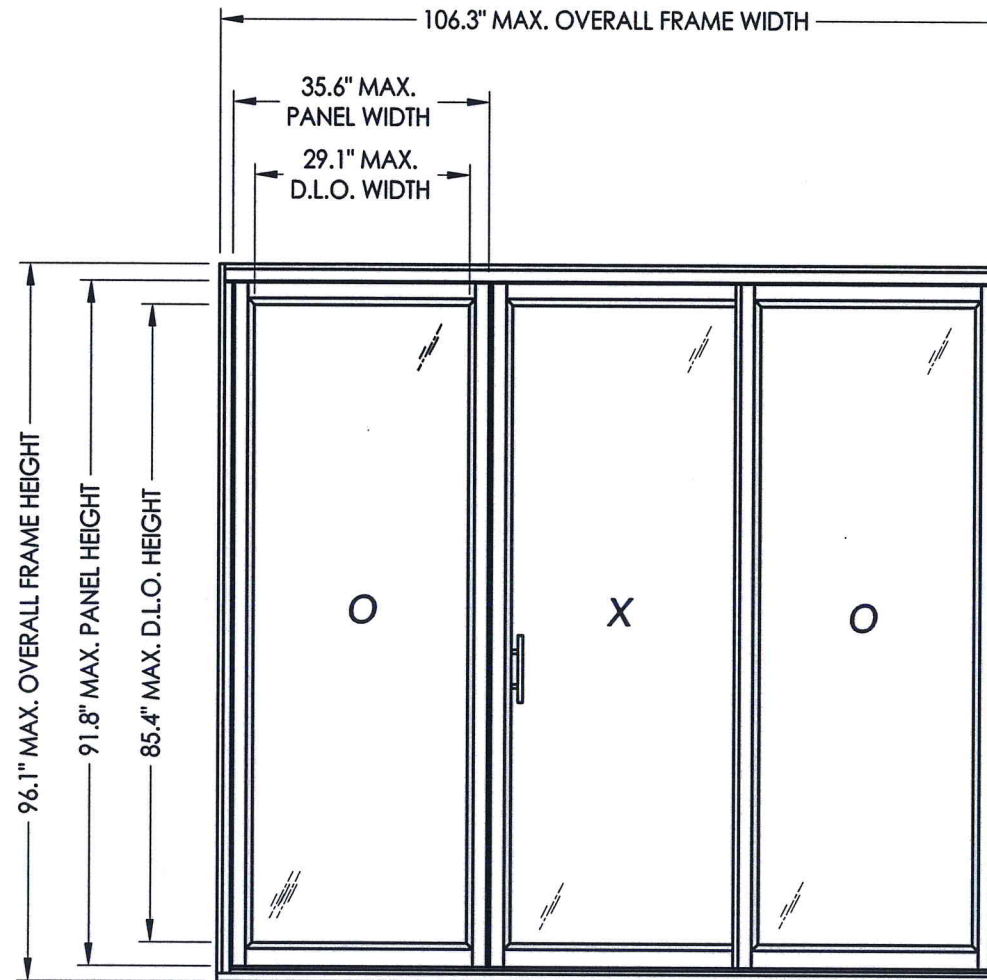


TABLE OF CONTENTS	
SHEET#	DESCRIPTION
1	Typical elevation, design pressures & general notes
2	Horizontal cross sections
3	Vertical cross sections
4	Horizontal cross sections
5	Vertical cross sections
6	Buck & frame anchoring
7	Buck & frame anchoring
8	Glazing details
9	Bill of materials & components

OVERALL FRAME DIMENSION	MAX. PANEL DIMENSION	MAX. D.L.O. DIMENSION	GLASS TYPE	DESIGN PRESSURE (PSF)	
				POSITIVE	NEGATIVE
106.3" x 81.9"	35.6" X 77.6"	29.1" X 71.2"	G1, G2, G3	+45.0	-45.0
106.3" x 96.1"	35.6" X 91.8"	29.1" X 85.4"	G1, G2, G3	+40.0	-40.0

Documents Prepared By:

RW BUILDING CONSULTANTS, INC.
P.O. Box 230 Valrico FL 33595
Phone No.: 813.659.9197

Florida Board of Professional Engineers
Certificate Of Authorization No. 9813

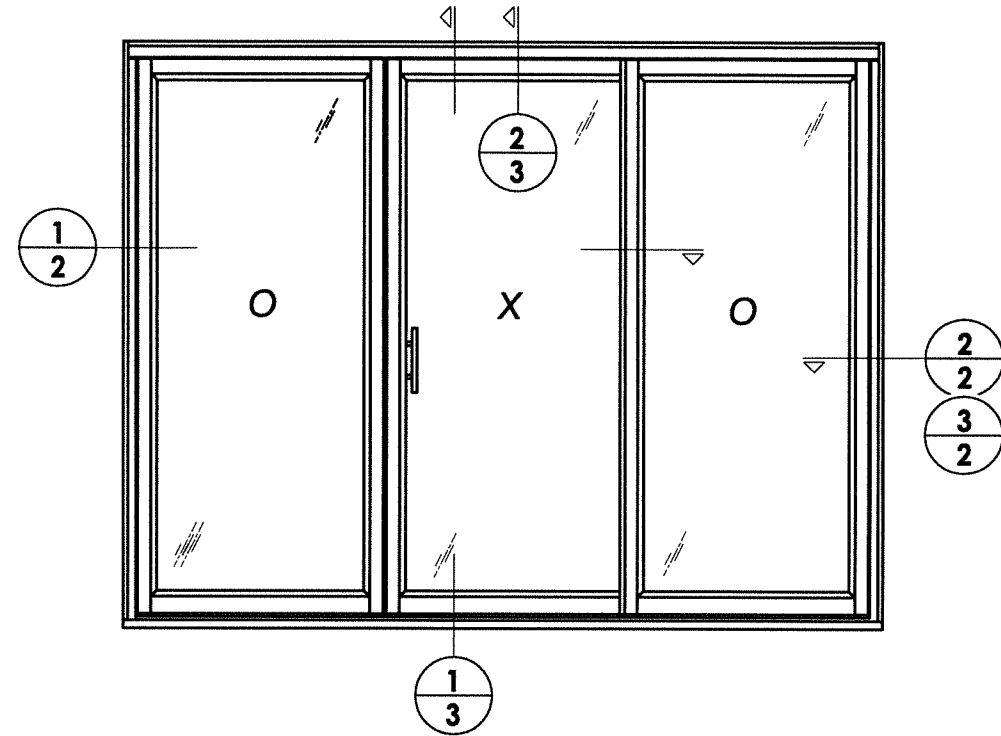
Lyndon F. Schmidt, P.E. No. 43409

PRODUCT: 5400/5400S/7000/9900 SERIES SLIDING PATIO DOORS

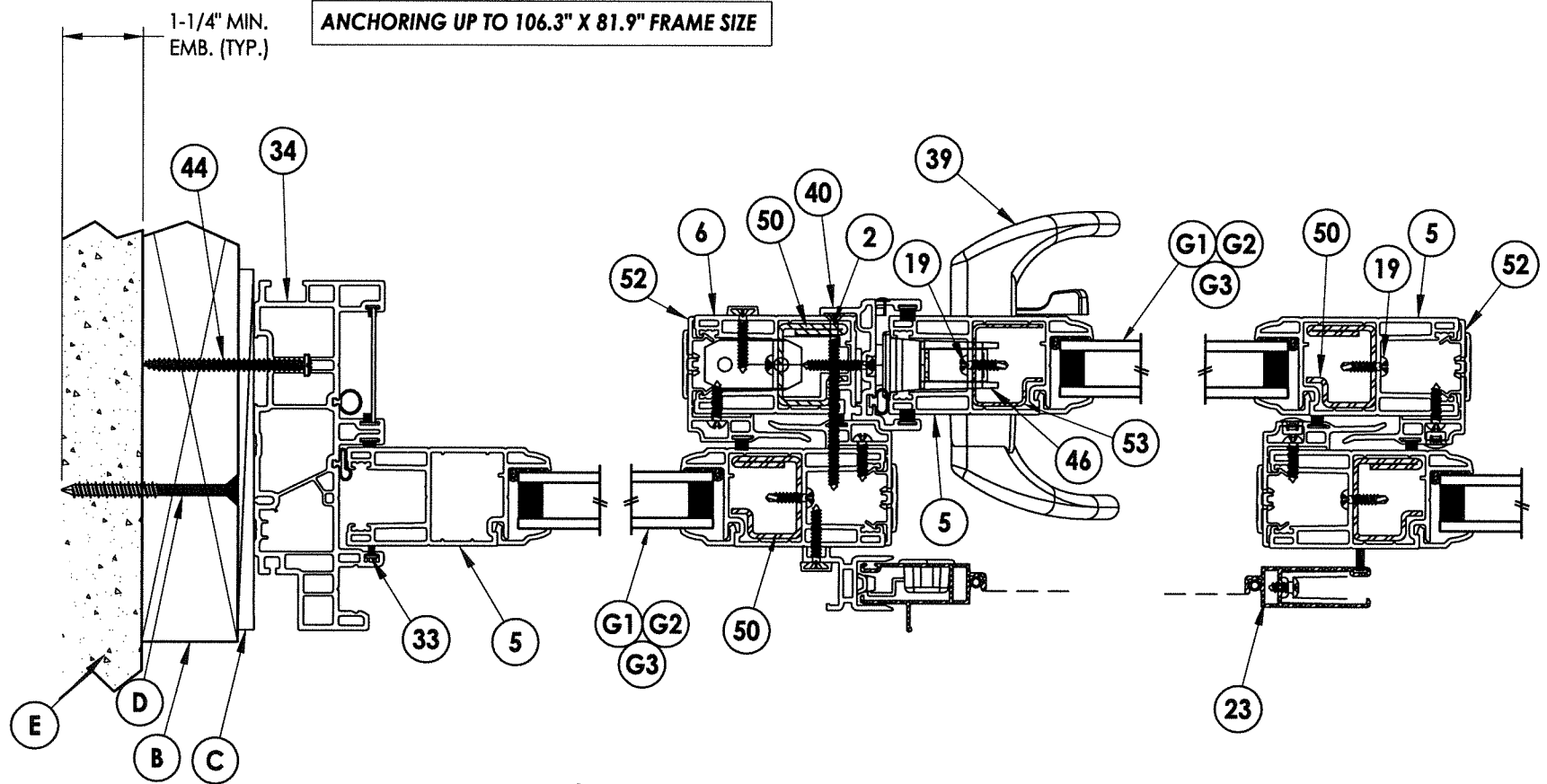
PART OR ASSEMBLY: TYPICAL ELEVATION, DESIGN PRESSURES & GENERAL NOTES

NO.	DATE	REVISIONS
2	8/14/14	REVISED GLAZING & SERIES NO.
1	7/7/14	ADDED FRAME SIZE & DETAILS
		JK
		LFS
		BY

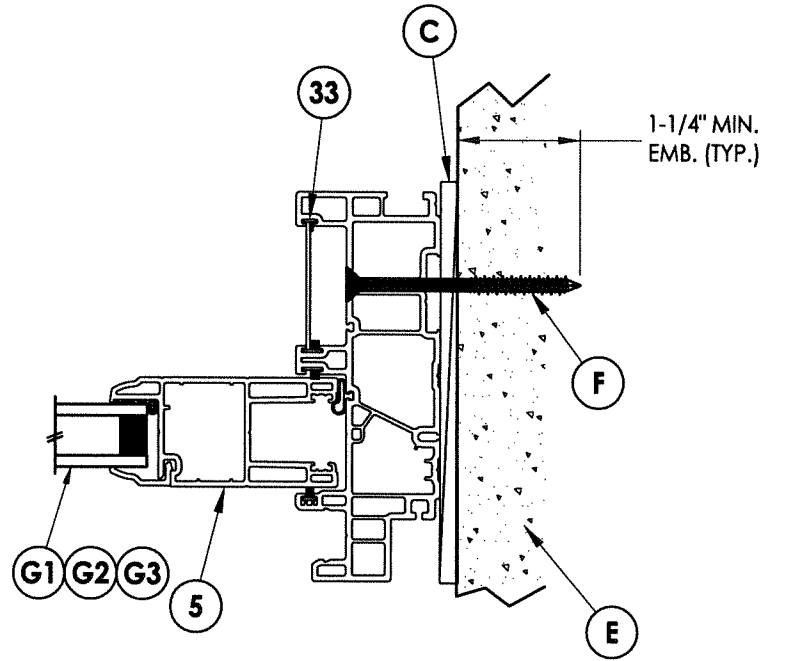
DATE: 4/29/13
SCALE: N.T.S.
DWG. BY: JK
CHK. BY: LFS
DRAWING NO.: FL-16216.6
SHEET 1 OF 9



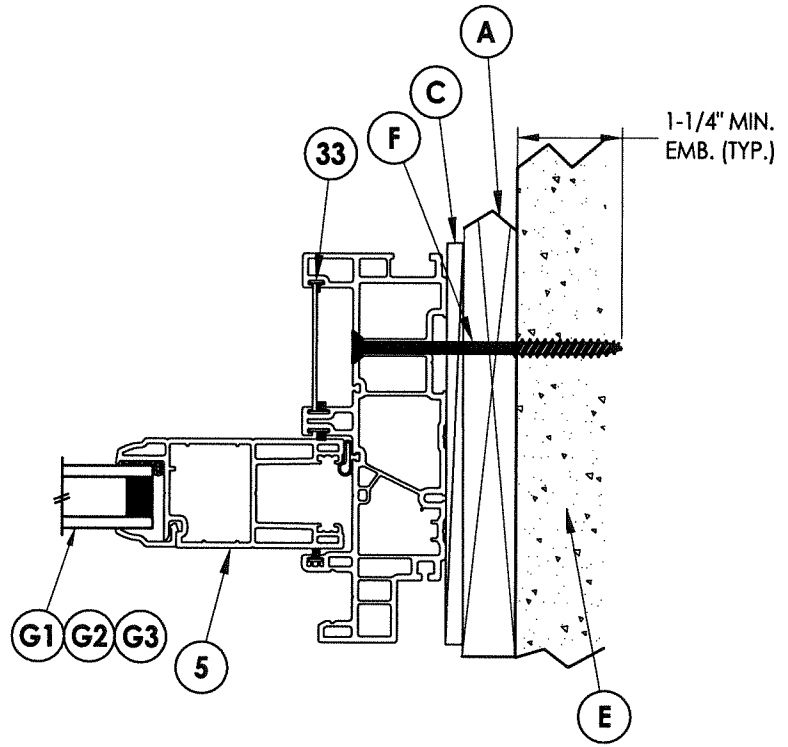
ANCHORING UP TO 106.3" X 81.9" FRAME SIZE



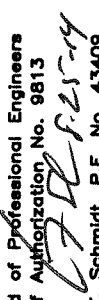
1 HORIZONTAL CROSS SECTION
2 Shown w/ 2X Buck

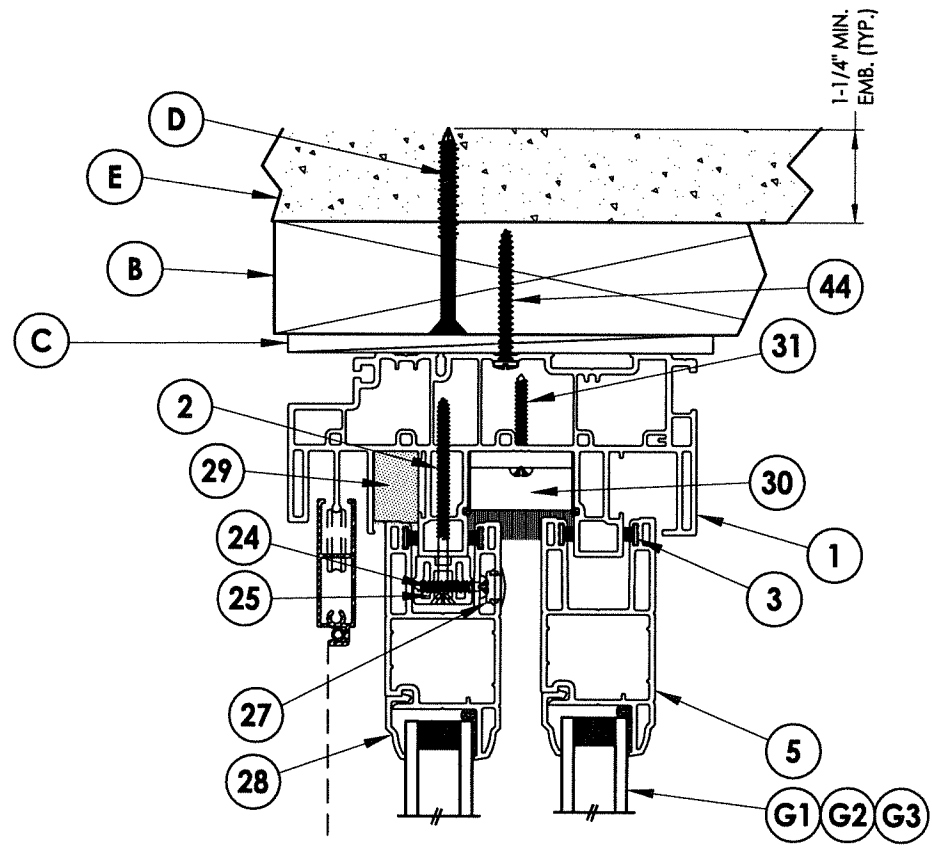


3 HORIZONTAL CROSS SECTION
2 Shown Direct to Masonry



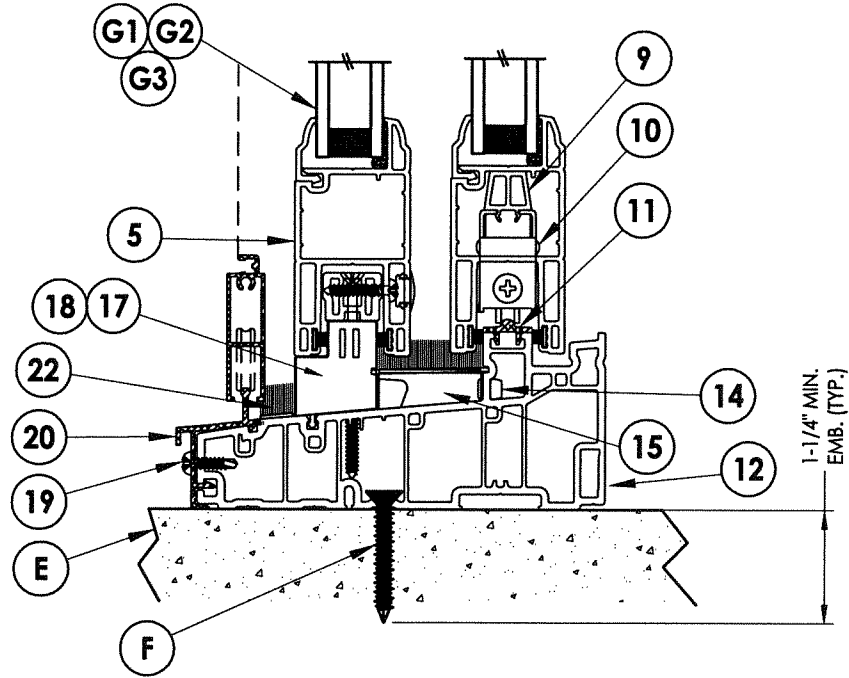
2 HORIZONTAL CROSS SECTION
2 Shown w/ 1X Buck

Documents Prepared By:		BUILDING CONSULTANTS, INC. P.O. Box 230 Vairico FL 33595 Phone No.: 813.659.9197 Florida Board of Professional Engineers Certificate of Authorization No. 9813  Lyndon F. Schmidt, P.E. No. 43409	
PRODUCT:	5400/5400S/7000/9900 SERIES SLIDING PATIO DOORS	PART OR ASSEMBLY: HORIZONTAL CROSS SECTIONS	
NO.	DATE	BY	REVISIONS
2	8/14/14	JK	REVISED GLAZING & SERIES NO.
1	7/7/14	LFS	ADDED FRAME SIZE & DETAILS
DATE: 4/29/13		SCALE: N.T.S.	
DWG. BY: JK		CHK. BY: LFS	
DRAWING NO.: FL-16216.6		SHEET 2 OF 9	

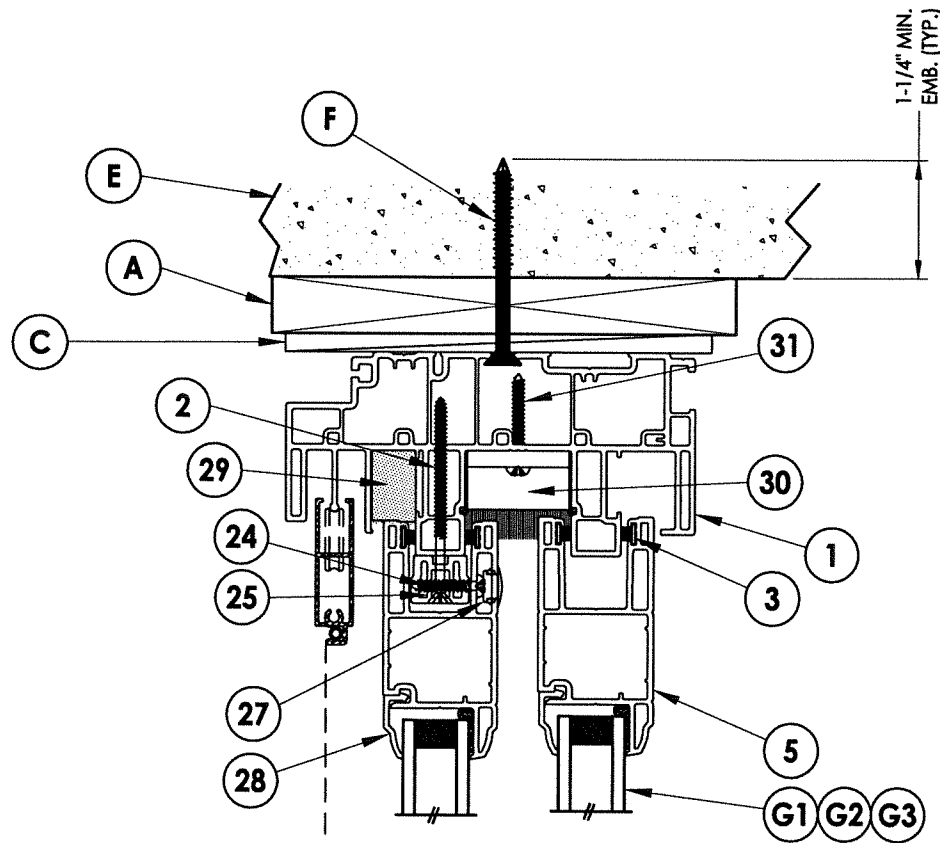


EXTERIOR

INTERIOR



1 VERTICAL CROSS SECTION
3 Shown w/ 2X Buck at head & Direct to Masonry @ sill



EXTERIOR

INTERIOR

2 VERTICAL CROSS SECTION
3 Shown w/ 1X Buck

Documents Prepared By:

RW BUILDING CONSULTANTS, INC.
 P.O. Box 230 Valrico FL 33595
 Phone No.: 813.659.9197
 Florida Board of Professional Engineers
 Certificate Of Authorization No. 9813
Lyndon F. Schmidt

Lyndon F. Schmidt, P.E. No. 43409

PRODUCT:
 5400/5400S/7000/9900 SERIES
 SLIDING PATIO DOORS

PART OR ASSEMBLY:
 VERTICAL
 CROSS SECTIONS

REVISIONS	
NO.	DATE
2	8/14/14
1	7/7/14

DATE: 4/29/13

SCALE: N.T.S.

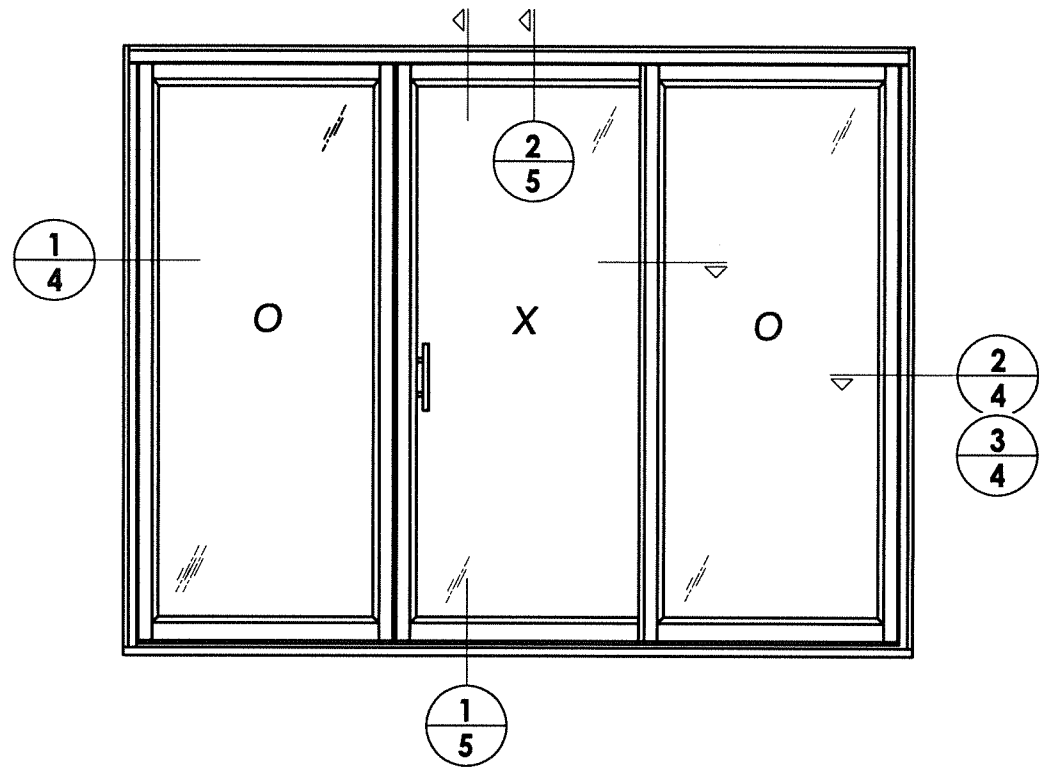
DWG. BY: JK

CHK. BY: LFS

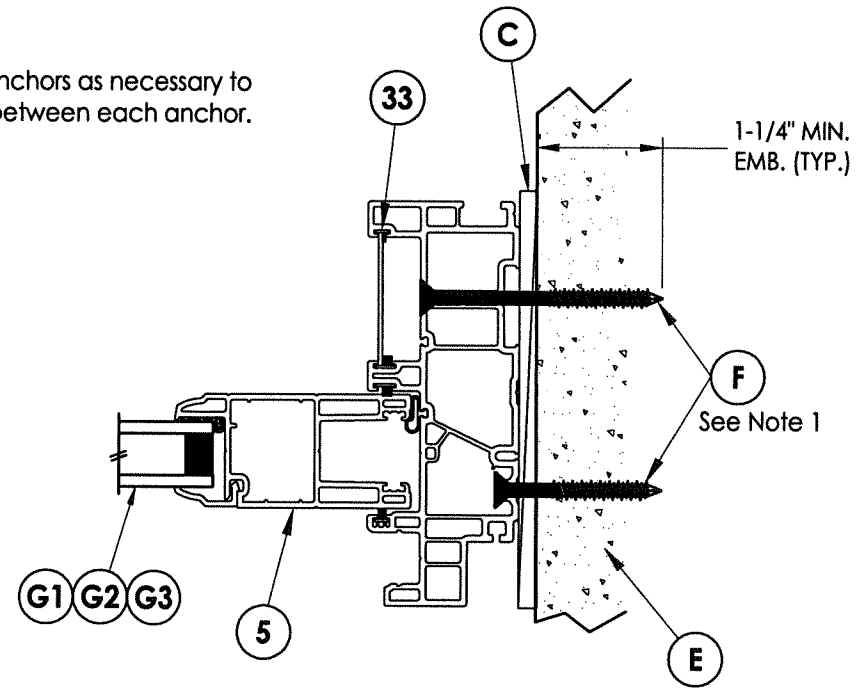
DRAWING NO.:

FL-16216.6

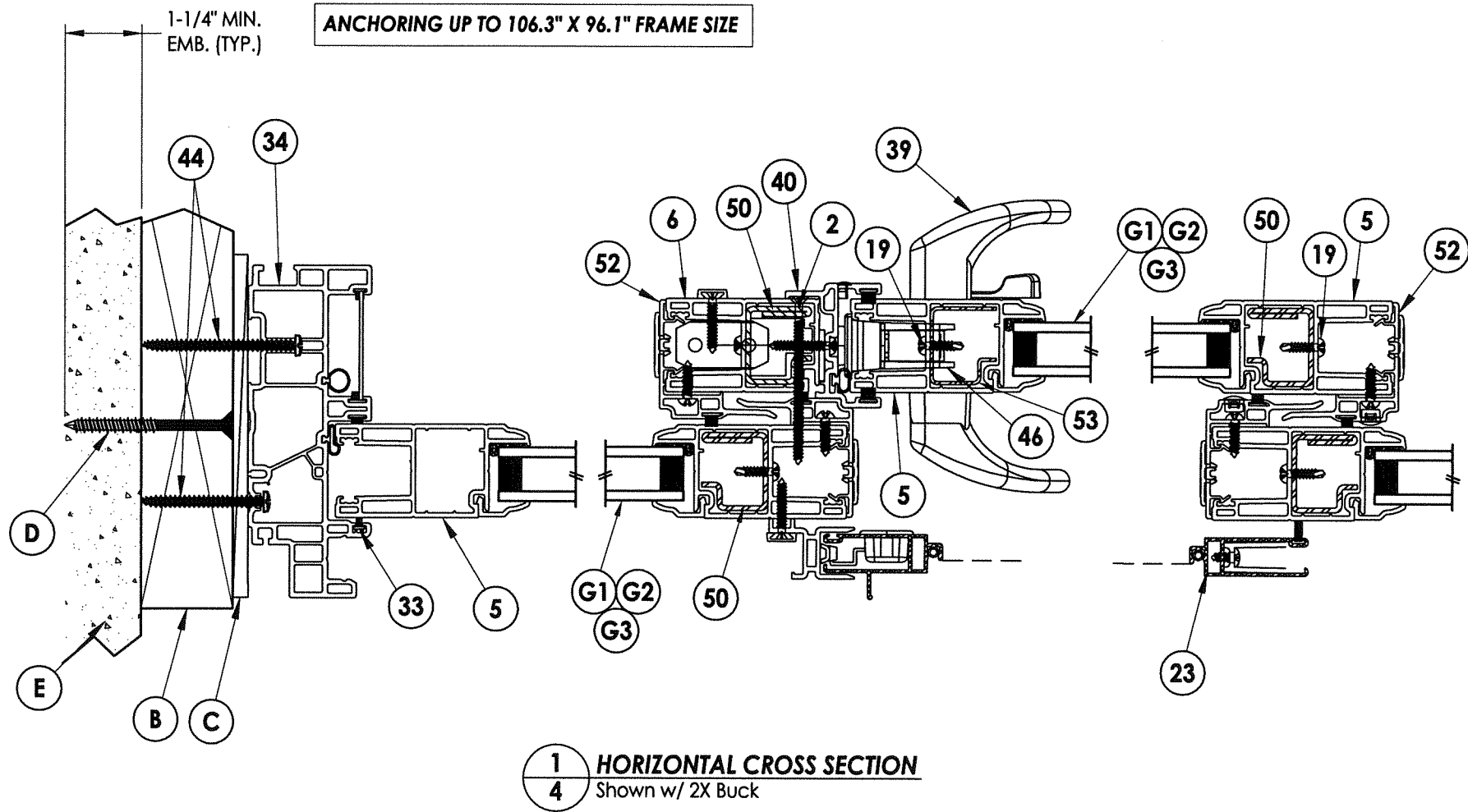
SHEET 3 OF 9



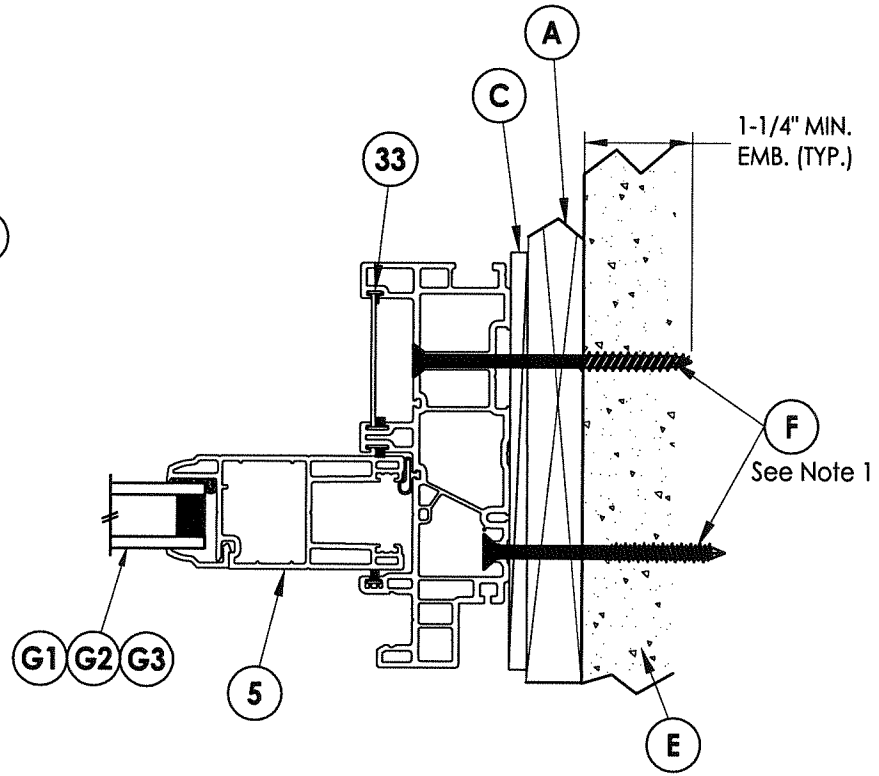
NOTES:
1. Stagger concrete anchors as necessary to maintain min. of 4" between each anchor.



3
4 HORIZONTAL CROSS SECTION
Shown Direct to Masonry



1
4 HORIZONTAL CROSS SECTION
Shown w/ 2X Buck



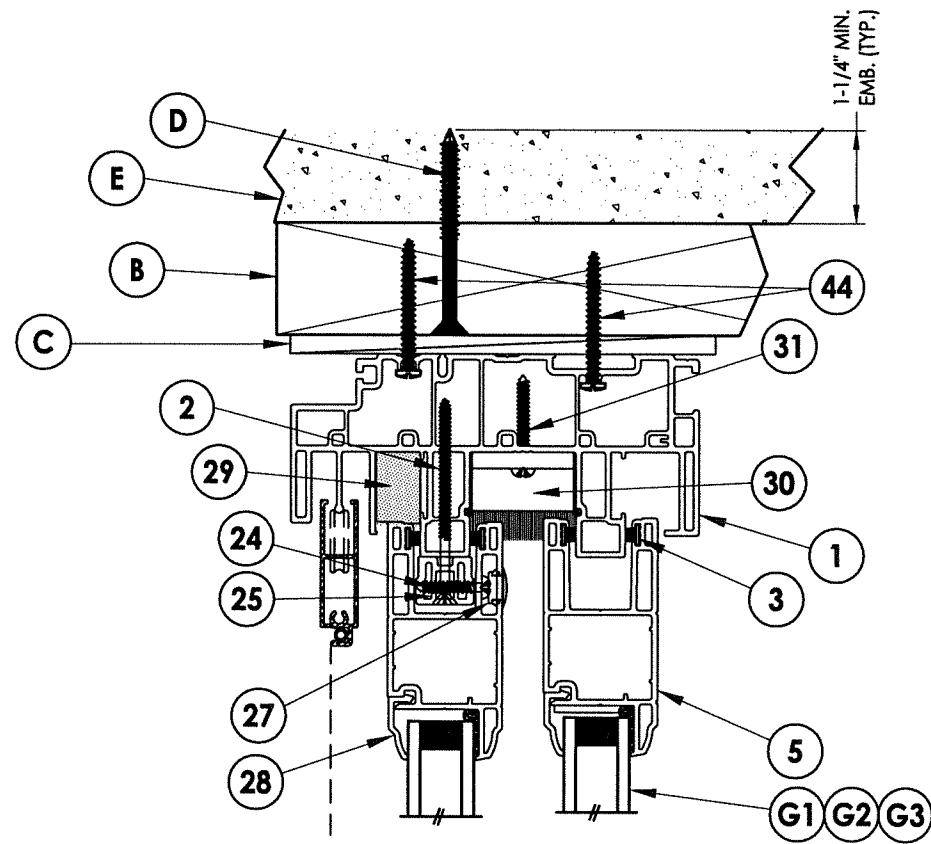
2
4 HORIZONTAL CROSS SECTION
Shown w/ 1X Buck

Documents Prepared By:
RW BUILDING CONSULTANTS, INC.
P.O. Box 230 Vairico FL 33595
Phone No.: 813.659.9197
Florida Board of Professional Engineers
Certificate of Authorization No. 9813
Lyndon F. Schmidt
Lyndon F. Schmidt, P.E. No. 43408

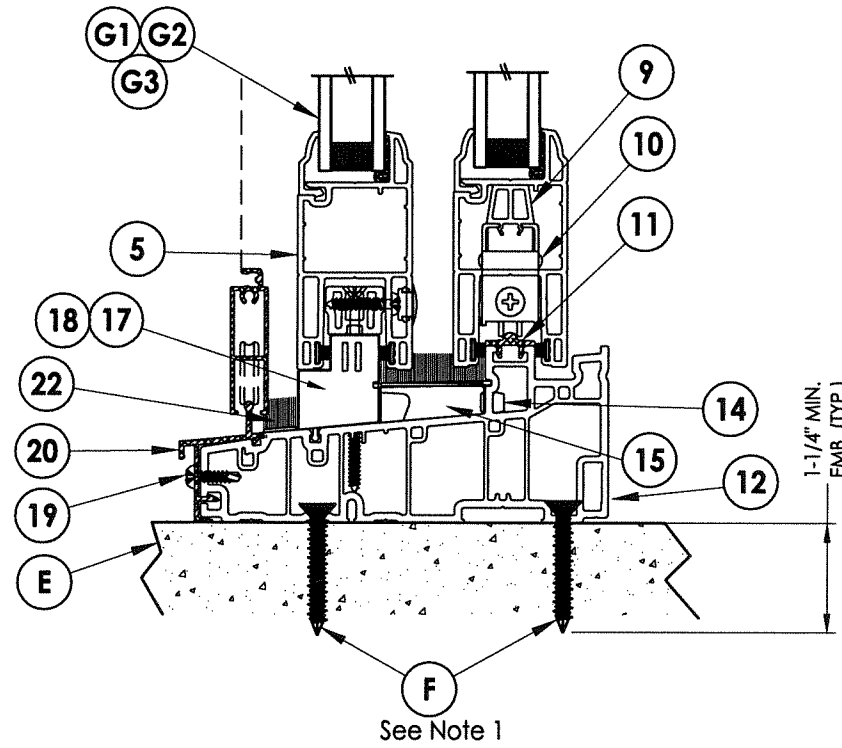
PRODUCT:
5400/5400S/7000/9900 SERIES
SLIDING PATIO DOORS
PART OR ASSEMBLY:
HORIZONTAL
CROSS SECTIONS

NO.		DATE		REVISIONS	
NO.	DATE	BY	DATE	BY	REVISIONS
2	8/14/14	JK			REVISED GLAZING & SERIES NO.
1	7/7/14	LFS			ADDED FRAME SIZE & DETAILS

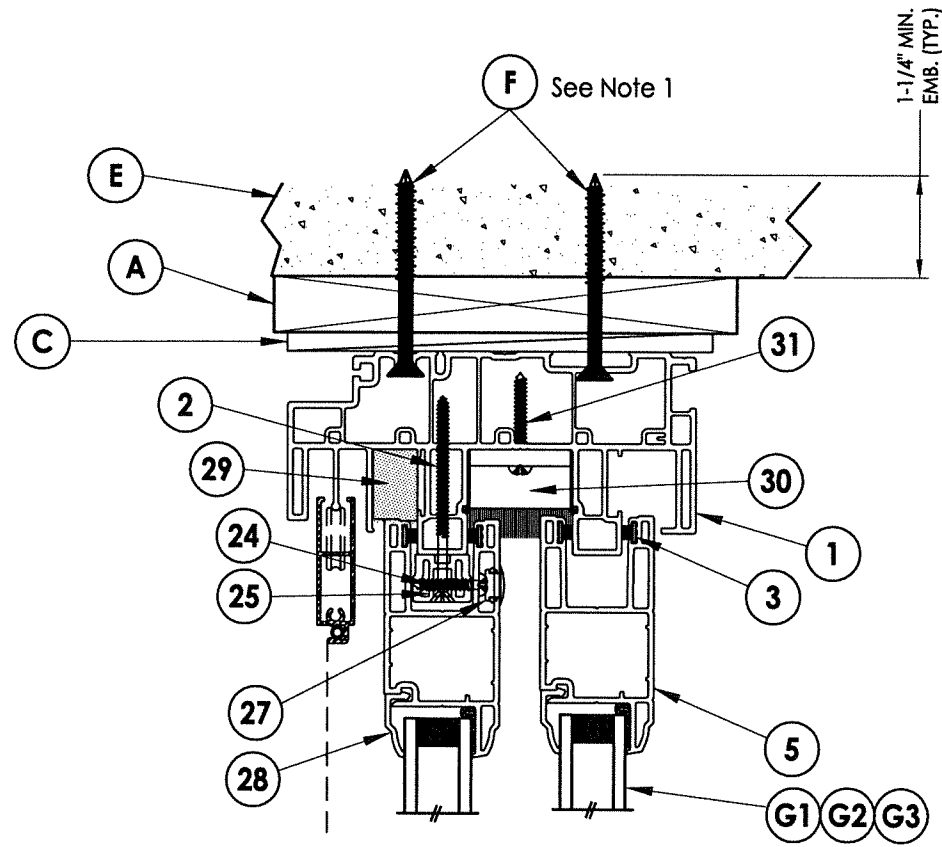
DATE: 4/29/13
SCALE: N.T.S.
DWG. BY: JK
CHK. BY: LFS
DRAWING NO.: FL-16216.6
SHEET 4 OF 9



EXTERIOR INTERIOR



1 VERTICAL CROSS SECTION
5 Shown w/ 2X Buck at head & Direct to Masonry @ sill



EXTERIOR INTERIOR

2 VERTICAL CROSS SECTION
5 Shown w/ 1X Buck

NOTES:
 1. Stagger concrete anchors as necessary to maintain min. of 4" between each anchor.

Documents Prepared By:

RW BUILDING CONSULTANTS, INC.
 P.O. Box 230 Vairco FL 33595
 Phone No.: 813.659.9197
 Florida Board of Professional Engineers
 Certificate of Authorization No. 9813
LFS

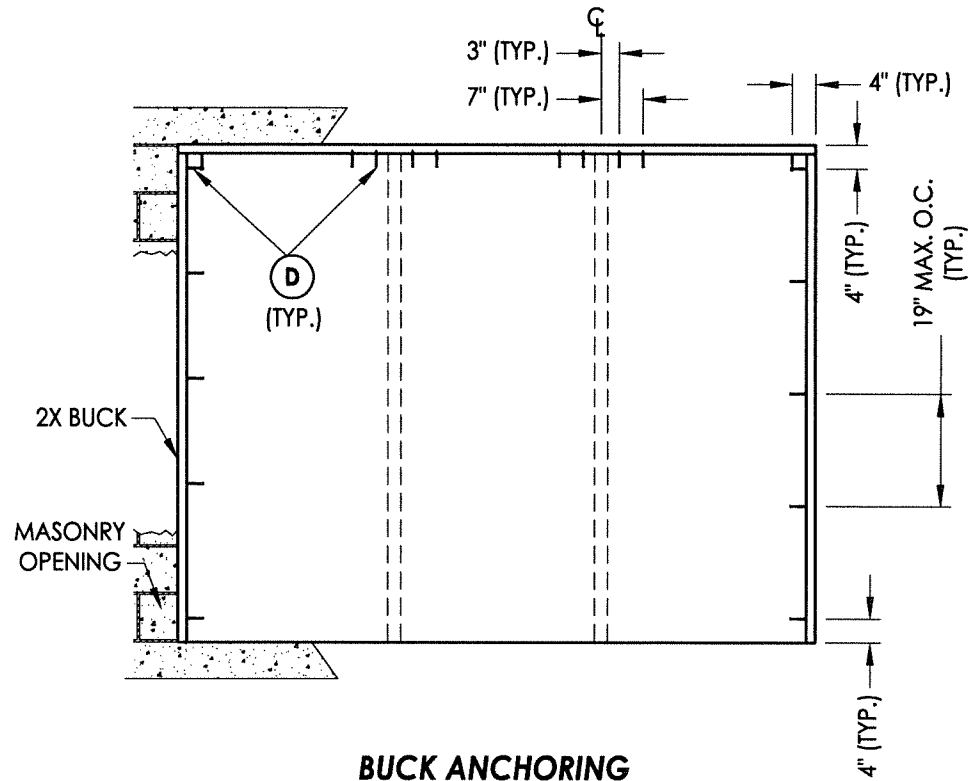
© 2014 R.W. BUILDING CONSULTANTS INC.

PRODUCT:
 5400/5400S/7000/9900 SERIES
 SLIDING PATIO DOORS

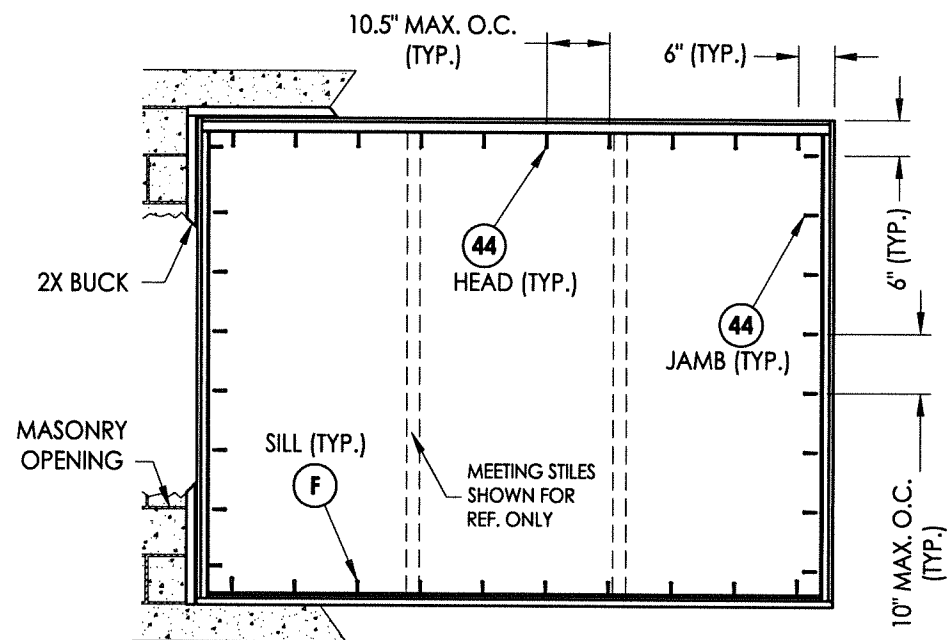
PART OR ASSEMBLY:
 VERTICAL
 CROSS SECTIONS

NO.	DATE	REVISIONS
2	8/14/14	REVISED GLAZING & SERIES NO.
1	7/7/14	ADDED FRAME SIZE & DETAILS
		JK
		LFS
		BY

DATE: 4/29/13
 SCALE: N.T.S.
 DWG. BY: JK
 CHK. BY: LFS
 DRAWING NO.: FL-16216.6
 SHEET 5 of 9



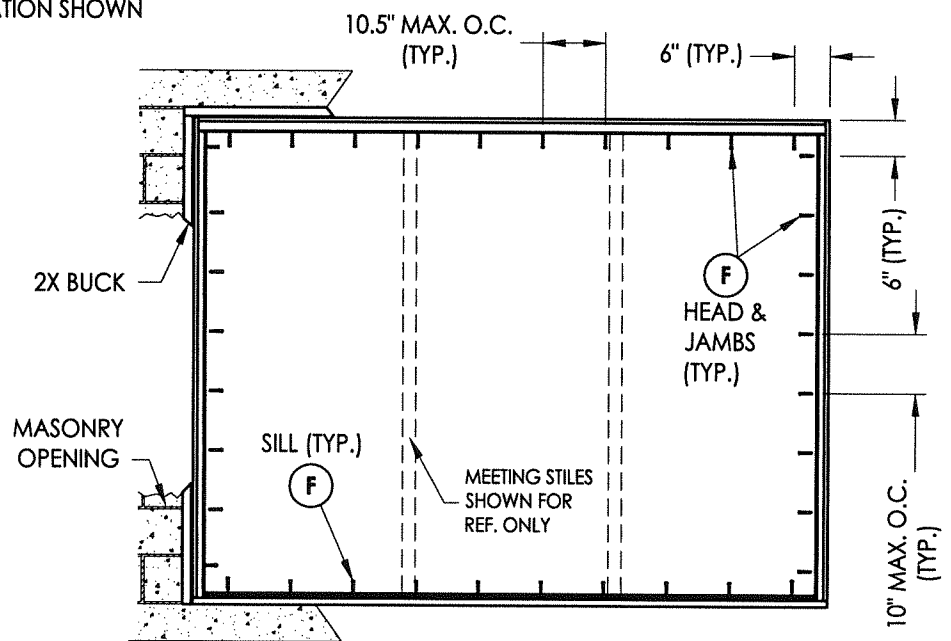
BUCK ANCHORING
Masonry



FRAME ANCHORING
2X Buck

ANCHORING UP TO 106.3" X 81.9" FRAME SIZE

NOTE: One (1) ANCHOR REQ'D @ EACH LOCATION SHOWN



FRAME ANCHORING
1X Buck, Direct to Masonry

CONCRETE ANCHOR NOTES:

1. Substitution of equal concrete anchors from a different supplier may have different edge distance and center distance requirements.
2. Concrete anchor locations at the corners may be adjusted to maintain the min. edge distance to mortar joints. Concrete anchor locations noted as "MAX. ON CENTER" must be adjusted to maintain the min. edge distance to mortar joints, additional concrete anchors may be required to ensure the "MAX. ON CENTER" dimension are not exceeded.
3. Concrete anchor table:

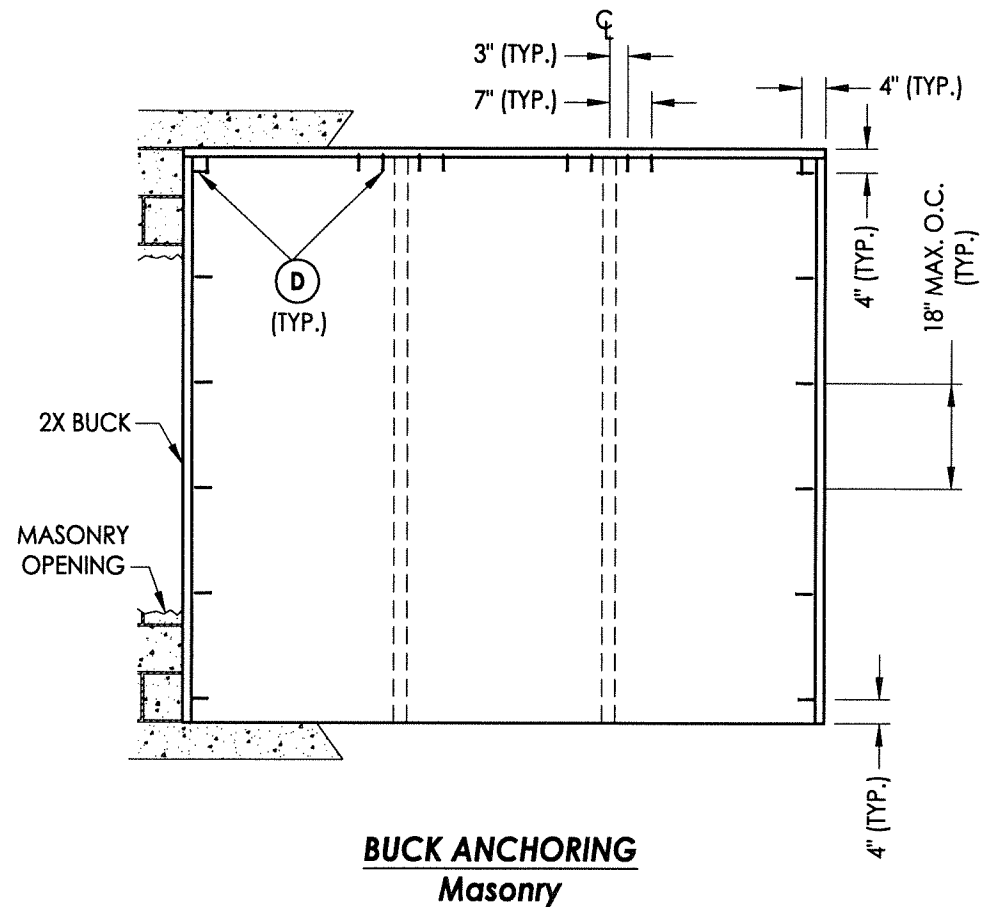
ANCHOR TYPE	ANCHOR SIZE	MIN. EMBEDMENT	MIN. CLEARANCE TO MASONRY EDGE	MIN. CLEARANCE TO ADJACENT ANCHOR
ITW	1/4"	1-1/4"	2-1/2"	4"
ELCO	1/4"	1-1/4"	1"	4"

Documents Prepared By:
RW BUILDING CONSULTANTS, INC.
 P.O. Box 230 Valrico FL 33595
 Phone No.: 813.659.9197
 Florida Board of Professional Engineers
 Certificate Of Authorization No. 9813
LFS 8-25-14
 Lyndon F. Schmidt, P.E. No. 43409

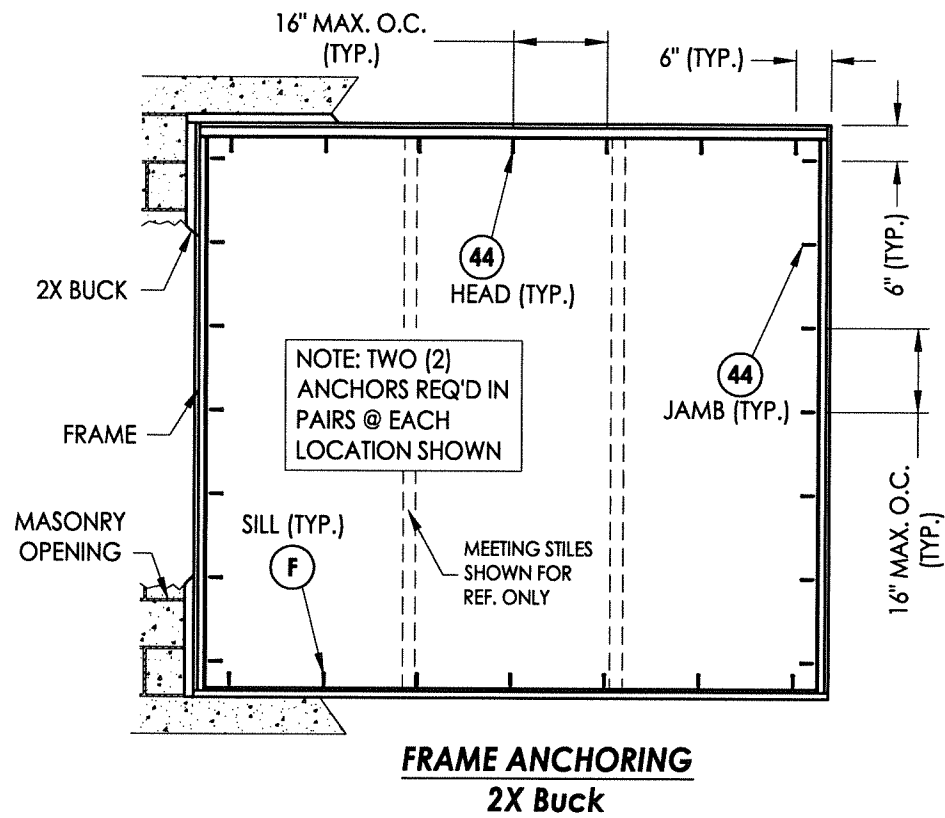
PRODUCT: 5400/5400S/7000/9900 SERIES SLIDING PATIO DOORS
 PART OR ASSEMBLY: BUCK & FRAME ANCHORING

NO.	DATE	REVISIONS	BY
2	8/14/14	REVISED GLAZING & SERIES NO.	JK
1	7/7/14	ADDED FRAME SIZE & DETAILS	LFS

DATE: 4/29/13
 SCALE: N.T.S.
 DWG. BY: JK
 CHK. BY: LFS
 DRAWING NO.: FL-16216.6
 SHEET 6 OF 9

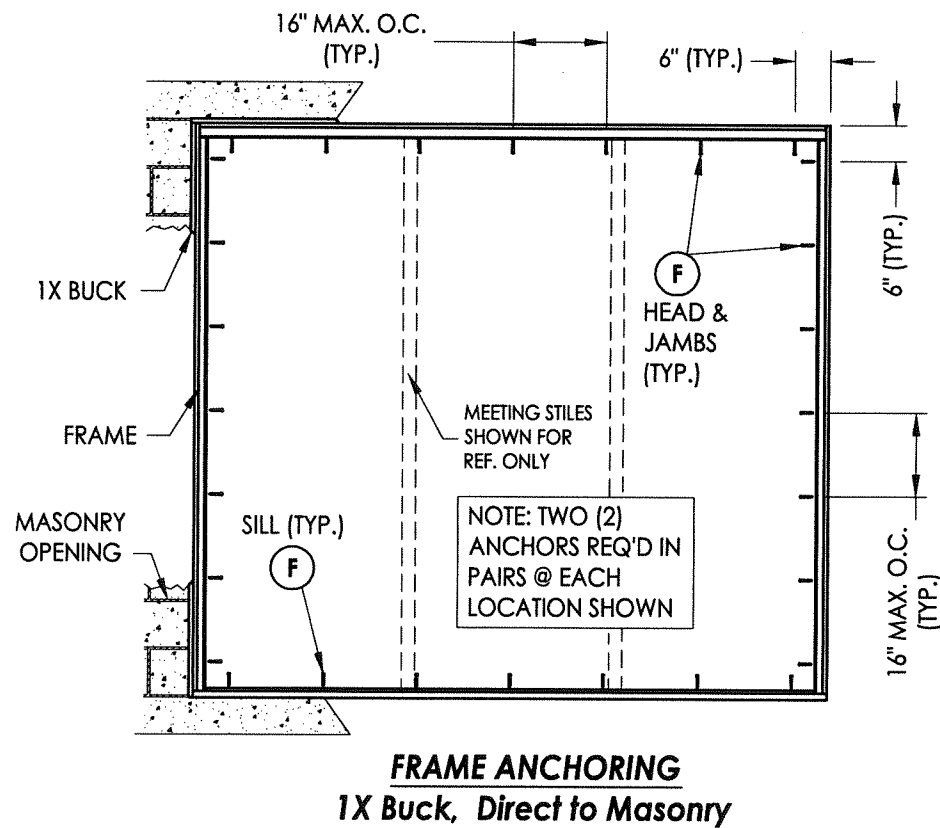


BUCK ANCHORING
Masonry



FRAME ANCHORING
2X Buck

ANCHORING UP TO 106.3" X 96.1" FRAME SIZE



FRAME ANCHORING
1X Buck, Direct to Masonry

CONCRETE ANCHOR NOTES:

1. Substitution of equal concrete anchors from a different supplier may have different edge distance and center distance requirements.
2. Concrete anchor locations at the corners may be adjusted to maintain the min. edge distance to mortar joints. Concrete anchor locations noted as "MAX. ON CENTER" must be adjusted to maintain the min. edge distance to mortar joints, additional concrete anchors may be required to ensure the "MAX. ON CENTER" dimension are not exceeded.
3. Concrete anchor table:

ANCHOR TYPE	ANCHOR SIZE	MIN. EMBEDMENT	MIN. CLEARANCE TO MASONRY EDGE	MIN. CLEARANCE TO ADJACENT ANCHOR
ITW	1/4"	1-1/4"	2-1/2"	4"
ELCO	1/4"	1-1/4"	1"	4"

Documents Prepared By:

RW BUILDING CONSULTANTS, INC.
P.O. Box 230 Valrico FL 33595
Phone No.: 813.659.9197
Florida Board of Professional Engineers
Certificate of Authorization No. 9813
LFS 8-25-14
Lyndon F. Schmidt, P.E. No. 43409

PRODUCT: 5400/5400S/7000/9900 SERIES SLIDING PATIO DOORS

PART OR ASSEMBLY: BUCK & FRAME ANCHORING

NO.	DATE	REVISIONS	BY
2	8/14/14	REVISED GLAZING & SERIES NO.	JK
1	7/7/14	ADDED FRAME SIZE & DETAILS	LFS

DATE: 4/29/13

SCALE: N.T.S.

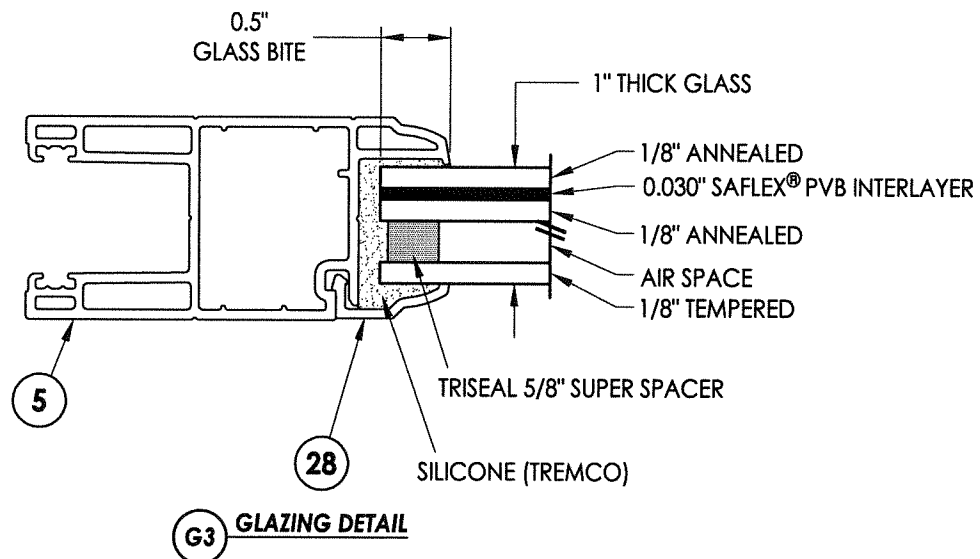
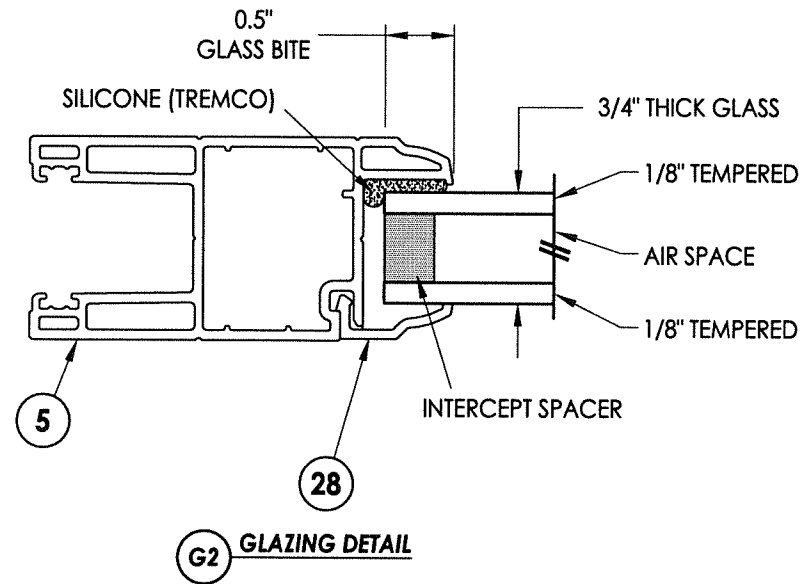
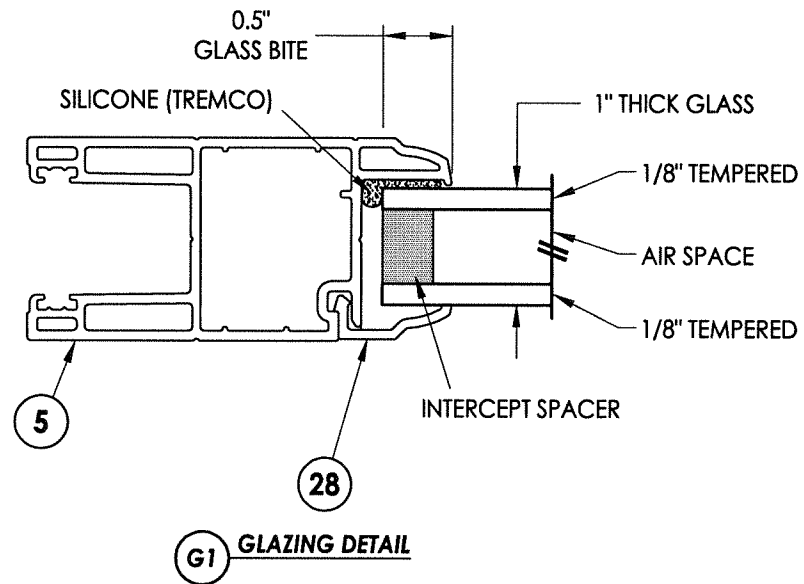
DWG. BY: JK

CHK. BY: LFS

DRAWING NO.:

FL-16216.6

SHEET 7 OF 9



Documents Prepared By: **RW** BUILDING CONSULTANTS, INC.
 P.O. Box 230 Vairico FL, 33595
 Phone No.: 813.659.9197
 Florida Board of Professional Engineers
 Certificate Of Authorization No. 9813
 Lyndon F. Schmidt, P.E. No. 43409

PRODUCT: 5400/5400S/7000/9900 SERIES SLIDING PATIO DOORS
 PART OR ASSEMBLY: GLAZING DETAILS

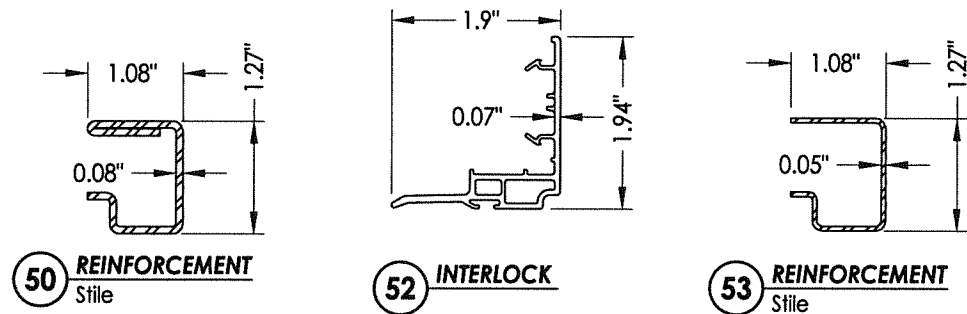
NO.	DATE	REVISIONS
2	8/14/14	REVISED GLAZING & SERIES NO. JK
1	7/7/14	ADDED FRAME SIZE & DETAILS LFS

DATE: 4/29/13
 SCALE: N.T.S.
 DWG. BY: JK
 CHK. BY: LFS
 DRAWING NO.: FL-16216.6
 SHEET 8 OF 9

© 2014 R.W. BUILDING CONSULTANTS INC.

BILL OF MATERIALS		
ITEM #	DESCRIPTION	MATERIAL
A	1X BUCK SG >= 0.55	WOOD
B	2X BUCK SG >= 0.55	WOOD
C	1/4" MAX. SHIM SPACE	-
D	1/4" X 2-3/4" ELCO OR ITW CONCRETE SCREW	STEEL
E	MASONRY - 3,192 PSI MIN. CONCRETE CONFORMING TO ACI 301 OR HOLLOW BLOCK CONFORMING TO ASTM C90	CONCRETE
F	1/4" ELCO OR ITW CONCRETE SCREW (1-1/4" MIN. EMBEDMENT REQ'D. INTO CONCRETE)	STEEL
1	FRAME HEAD*	PVC
2	#8 x 2-3/4" FH QUADREX WOOD SCREW	STEEL
3	WEATHERSTRIP (SCHLEGEL #HF-7522-270)	-
5	STILE & RAIL*	PVC
6	FIXED MULLION*	PVC
9	SHIM	-
10	TANDEM WHEEL	NYLON
11	ROLLING RAIL	ALUM
12	SILL*	PVC
13	SILL DUST COVER*	PVC
14	SILL PLUG	NYLON
15	SILL WEATHERSEAL	-
17	LEFT CAP FOR SILL ADAPTER*	PVC
18	RIGHT CAP FOR SILL ADAPTER*	PVC
19	#8 X 5/8" PAN HEAD, SQUARE, SELF-DRILLING SCREW	STEEL
20	OUTSIDE SILL CLADDING	STEEL
22	INSECT STOP	-
23	SCREEN	-
24	#8 X 7/8" PAN HEAD, QUADREX, SCREW	STEEL
25	FIXED PANEL ANCHOR BLOCK*	PVC
26	ANCHOR STRAP	STEEL
27	SCREW CAP*	PVC
28	GLAZING BEAD*	PVC
29	FOAM PLUG	-
30	HEAD WEATHERSEAL	-

* THE APPROVED WHITE RIGID PVC EXTERIOR EXTRUSIONS FOR WINDOWS ARE TO BE PRODUCED BY EXTRUDERS LICENSEES IN "AAMA CERTIFICATION PROGRAMS FOR RIGID PVC EXTRUSIONS".

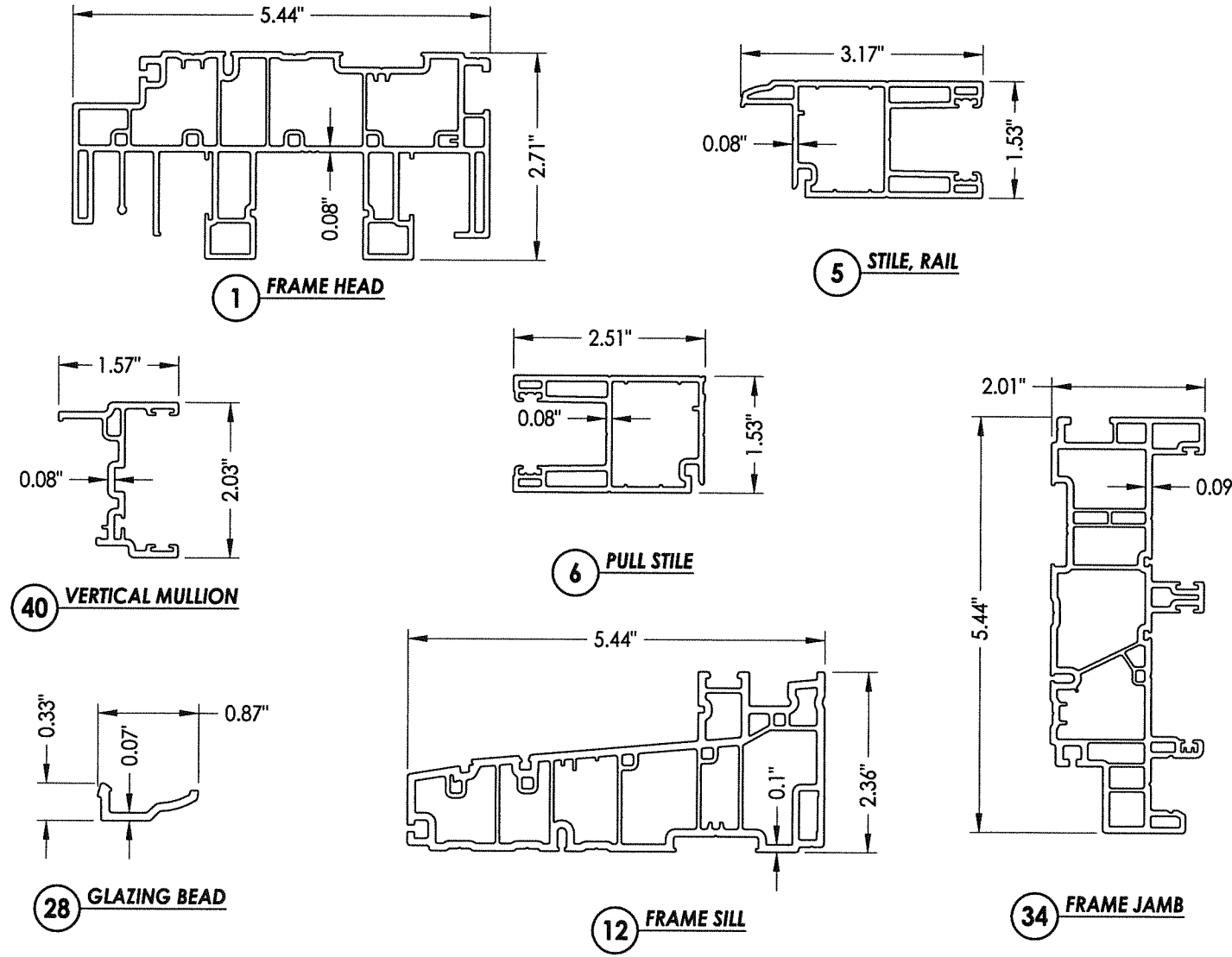


50 REINFORCEMENT Stile

52 INTERLOCK

53 REINFORCEMENT Stile

31	#8 X 1-1/4" PAN HEAD, QUADREX, SCREW	STEEL
32	SASH STOPPER	EPDM
33	WEATHERSTRIP	-
34	FRAME JAMB*	PVC
35	WEATHERSTRIP	-
39	HANDLE KIT	STEEL
40	VERTICAL MULLION*	PVC
44	#10 PPH WOOD SCREW (1-3/8" MIN. EMBEDMENT REQ'D INTO WOOD)	STEEL
46	STAINLESS STEEL DOUBLE POINT MORTISE LOCK KIT	STEEL
47	SASH COVERING CAP*	PVC
48	LOCK PLUG*	PVC
50	STILE REINFORCEMENT	STEEL
51	#8 X 2" TRUSS HEAD QUADREX SCREW	STEEL
52	INTERLOCK*	PVC
53	STILE REINFORCEMENT	STEEL
54	Q-LON WEATHERSTRIP (SCHLEGEL NO. QEZ 345)	-



1 FRAME HEAD

5 STILE, RAIL

6 PULL STILE

12 FRAME SILL

40 VERTICAL MULLION

28 GLAZING BEAD

34 FRAME JAMB

PRODUCT:		5400/5400S/7000/9900 SERIES SLIDING PATIO DOORS	
PART OR ASSEMBLY:		BILL OF MATERIALS & COMPONENTS	
NO.	DATE	REVISED GLAZING & SERIES NO.	JK
2	8/14/14	ADDED FRAME SIZE & DETAILS	LFS
1	7/7/14		BY
REVISIONS			
DATE: 4/29/13			
SCALE: N.T.S.			
DWG. BY: JK			
CHK. BY: LFS			
DRAWING NO.: FL-16216.6			
SHEET 9 OF 9			

Documents Prepared By:
RW BUILDING CONSULTANTS, INC.
 P.O. Box 230 Valrico FL 33595
 Phone No.: 813.659.9197
 Florida Board of Professional Engineers
 Certificate of Authorization No. 9813
FL-25.14
 Lyndon F. Schmidt, P.E. No. 43409